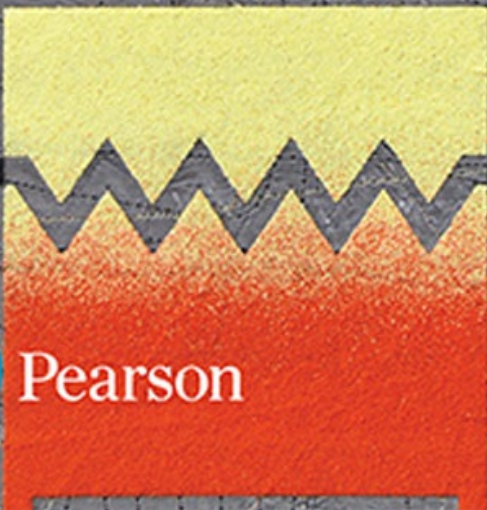


NILSSON • RIEDEL

ELECTRIC CIRCUITS



11th Edition



Pearson

NILSSON • RIEDEL

ELECTRIC CIRCUITS



11th Edition



 Pearson

Table 4.3 Steps in the Node-Voltage Method and the Mesh-Current Method

Sample

Step 1
Identify nodes/meshes

Step 2
Label node voltages/mesh currents
Recognize special cases

Step 3
Write the equations

Step 4
Solve the equations

Step 5
Solve for other unknowns

Node-Voltage Method

Identify the essential nodes by circling them on the circuit diagram

Pick and label a reference node; then label the remaining essential node voltages

- If a voltage source is the only component in a branch connecting the reference node and another essential node, label the essential node with the value of the voltage source
- If a voltage source is the only component in a branch connecting two nonreference essential nodes, create a supernode that includes the voltage source and the two nodes on either side

Write the following equations:

- A KCL equation for any supernodes
- A KCL equation for any remaining essential nodes where the voltage is unknown
- A constraint equation for each dependent source that defines the controlling variable for the dependent source in terms of the node voltages
- A constraint equation for each supernode that equates the difference between the two node voltages in the supernode to the voltage source in the supernode

Solve the equations to find the node voltages

Use the node voltage values to find any unknown voltages, currents, or powers

Mesh-Current Method

Identify the meshes by drawing directed arrows inside each mesh

Label each mesh current

- If a current source is in a single mesh, label the mesh current with the value of the current source
- If a current source is shared by two adjacent meshes, create a supermesh by combining the two adjacent meshes and temporarily eliminating the branch that contains the current source

Write the following equations:

- A KVL equation for any supermeshes
- A KVL equation for any remaining meshes where the current is unknown
- A constraint equation for each dependent source that defines the controlling variable for the dependent source in terms of the mesh currents
- A constraint equation for each supermesh that equates the difference between the two mesh currents in the supermesh to the current source eliminated to form the supermesh

Solve the equations to find the mesh currents

Use the mesh current values to find any unknown voltages, currents, or powers

Analyzing a Circuit With an Ideal

OP AMP

1. Check for a negative feedback path. If it exists, assume the op amp operates in its linear region.
2. Write a KCL equation at the inverting input terminal.
3. Solve the KCL equation and use the solution to find the op amp's output voltage.
4. Compare the op amp's output voltage to the power supply voltages to determine if the op amp is operating in its linear region or if it is saturated.

General Method for Natural and Step Response of RL and RC Circuits

1. **Identify the variable $x(t)$** , which is the inductor current for RL circuits and capacitor voltage for RC circuits.
2. **Calculate the initial value X_0** , by analyzing the circuit to find $x(t)$ for $t < 0$
3. **Calculate the time constant τ** ; for RL circuits $\tau = L/R$ and for RC circuits $\tau = RC$, where R is the equivalent resistance connected to the inductor or capacitor for $t \geq 0$
4. **Calculate the final value X_f** , by analyzing the circuit to find $x(t)$ as $t \rightarrow \infty$; for the natural response, $X_f = 0$
5. **Write the equation for $x(t)$** , $x(t) = X_f + (X_0 - X_f) e^{-t/\tau}$, for $t \geq 0$.

6. Calculate other quantities of interest using $x(t)$.

Natural Response of a Parallel *RLC* Circuit

1. Determine the initial capacitor voltage (V_0) and inductor current (I_0) from the circuit.
2. Determine the values of α and ω_0 using the equations in [Table 8.1](#).
3. If $\alpha^2 > \omega_0^2$, the response is overdamped and $v(t) = A_1 e^{s_1 t} + A_2 e^{s_2 t}, t \geq 0$
4. If the response is overdamped, calculate s_1 and s_2 using the equations in [Table 8.1](#).
5. If the response is overdamped, calculate A_1 and A_2 by simultaneously solving [Eqs. 8.10](#) and [8.11](#).
6. Write the equation for $v(t)$ from Step 3 using the results from Steps 4 and 5; find any desired branch currents.

Table 8.2 Equations for analyzing the natural response of parallel RLC circuits

Characteristic equation $s^2 + \frac{1}{RC}s + \frac{1}{LC} = 0$

Neper, resonant, and damped frequencies $\alpha = \frac{1}{2RC}$ $\omega_0 = \sqrt{\frac{1}{LC}}$ $\omega_d = \sqrt{\omega_0^2 - \alpha^2}$

Roots of the characteristic equation $s_1 = -\alpha + \sqrt{\alpha^2 - \omega_0^2}$, $s_2 = -\alpha - \sqrt{\alpha^2 - \omega_0^2}$

$\alpha^2 > \omega_0^2$: overdamped $v(t) = A_1e^{s_1t} + A_2e^{s_2t}, t \geq 0$

$$v(0^+) = A_1 + A_2 = V_0$$

$$\frac{dv(0^+)}{dt} = s_1A_1 + s_2A_2 = \frac{1}{C} \left(\frac{-V_0}{R} - I_0 \right)$$

$\alpha^2 < \omega_0^2$: underdamped

$$v(t) = B_1e^{-\alpha t} \cos \omega_d t + B_2e^{-\alpha t} \sin \omega_d t, t \geq 0$$

$$v(0^+) = B_1 = V_0$$

$$\frac{dv(0^+)}{dt} = -\alpha B_1 + \omega_d B_2 = \frac{1}{C} \left(\frac{-V_0}{R} - I_0 \right)$$

$\alpha^2 = \omega_0^2$: critically damped

$$v(t) = D_1te^{-\alpha t} + D_2e^{-\alpha t}, t \geq 0$$

$$v(0^+) = D_2 = V_0$$

$$\frac{dv(0^+)}{dt} = D_1 - \alpha D_2 = \frac{1}{C} \left(\frac{-V_0}{R} - I_0 \right)$$

(Note that the equations in the last three rows assume that the reference direction for the current in every component is in the direction of the reference voltage drop across that component.)

Step Response of a Parallel *RLC*

Circuit

1. **Determine the initial capacitor voltage (V_0), the initial inductor current (I_0), and the final inductor current (I_f) from the circuit.**
2. **Determine the values of α and ω_0 using the equations in [Table 8.3](#).**
3. **If $\alpha^2 > \omega_0^2$, the response is overdamped and $i_L(t) = I_f + A_1' e^{s_1 t} + A_2' e^{s_2 t}$, $t \geq 0^+$;**
If $\alpha^2 < \omega_0^2$ the response is underdamped and $i_L(t) = I_f + B_1' e^{-\alpha t} \cos \omega_d t + B_2' e^{-\alpha t} \sin \omega_d t$, $t \geq 0^+$;
If $\alpha^2 = \omega_0^2$, the response is critically damped and $i_L(t) = I_f + D_1' t e^{-\alpha t} + D_2' e^{-\alpha t}$, $t \geq 0^+$
4. **If the response is overdamped, calculate s_1 and s_2 using the equations in [Table 8.3](#);**
If the response is underdamped, calculate ω_d using the equation in [Table 8.3](#).
5. **If the response is overdamped, calculate A_1' and A_2' by simultaneously solving the equations in [Table 8.3](#);**
If the response is underdamped, calculate B_1' and B_2' by simultaneously solving the equations in [Table 8.3](#);
If the response is critically damped, calculate D_1' and D_2' by simultaneously solving the equations in [Table 8.3](#).
6. **Write the equation for $i_L(t)$ from Step 3 using the results from Steps 4 and 5; find the inductor voltage and any desired branch currents.**

Table 8.3 Equations for

analyzing the step response of parallel RLC circuits

Characteristic equation $s^2 + \frac{1}{RC}s + \frac{1}{LC} = \frac{I}{LC}$

Neper, resonant, and damped frequencies $\alpha = \frac{1}{2RC}$ $\omega_0 = \sqrt{\frac{1}{LC}}$ $\omega_d = \sqrt{\omega_0^2 - \alpha^2}$

Roots of the characteristic equation $s_1 = -\alpha + \sqrt{\alpha^2 - \omega_0^2}$, $s_2 = -\alpha - \sqrt{\alpha^2 - \omega_0^2}$

$\alpha^2 > \omega_0^2$: overdamped $i_L(t) = I_f + A'_1 e^{s_1 t} + A'_2 e^{s_2 t}$, $t \geq 0$

$$i_L(0^+) = I_f + A'_1 + A'_2 = I_0$$

$$\frac{di_L(0^+)}{dt} = s_1 A'_1 + s_2 A'_2 = \frac{V_0}{L}$$

$\alpha^2 < \omega_0^2$: underdamped

$$i_L(t) = I_f + B'_1 e^{-\alpha t} \cos \omega_d t + B'_2 e^{-\alpha t} \sin \omega_d t, \quad t \geq 0$$

$$i_L(0^+) = I_f + B'_1 = I_0$$

$$\frac{di_L(0^+)}{dt} = -\alpha B'_1 + \omega_d B'_2 = \frac{V_0}{L}$$

$\alpha^2 = \omega_0^2$: critically damped

$$i_L(t) = I_f + D'_1 t e^{-\alpha t} + D'_2 e^{-\alpha t}, \quad t \geq 0$$

$$i_L(0^+) = I_f + D'_2 = I_0$$

$$\frac{di_L(0^+)}{dt} = D'_1 - \alpha D'_2 = \frac{V_0}{L}$$

(Note that the equations in the last three rows assume that the reference direction for the current in every component is in the direction of the reference voltage drop across that component.)

Electric Circuits

Eleventh Edition

Sample

Electric Circuits

Eleventh Edition

James W. Nilsson

Professor Emeritus

Iowa State University

Susan A. Riedel

Marquette University



Pearson

330 Hudson Street, NY NY 10013

Senior Vice President Courseware Portfolio Management, Engineering, Computer Science, Mathematics, Statistics, and Global Editions: Marcia J. Horton

Director, Portfolio Management, Engineering, Computer Science, and Global Editions: Julian Partridge

Specialist, Higher Ed Portfolio Management: Norrin Dias

Portfolio Management Assistant: Emily Egan

Managing Producer, ECS and Mathematics: Scott Disanno

Senior Content Producer: Erin Ault

Manager, Rights and Permissions: Ben Ferrini

Operations Specialist: Maura Zaldivar-Garcia

Inventory Manager: Ann Lam

Product Marketing Manager: Yvonne Vannatta

Field Marketing Manager: Demetrius Hall

Marketing Assistant: Jon Bryant

Project Manager: Rose Kernan

Cover Design: Black Horse Designs

Cover Art: © Leonardo Ulian, Matrix board series 06 - Resistance by abstraction, 2017.

Composition: Integra Publishing Services

Cover Printer: Phoenix Color/Hagerstown

Printer/Binder: LSC Communications, Inc.

Credits and acknowledgments borrowed from other sources and reproduced, with permission, in this textbook appear on appropriate page within text.

Copyright © 2019, 2015, 2008, 2005 Pearson Education, Inc., Hoboken, NJ 07030. All rights reserved. Manufactured in the United States of America. This publication is protected by Copyright, and permission should be obtained from the publisher prior to any prohibited reproduction, storage in a retrieval system, or transmission in any form or by any means, electronic, mechanical, photocopying, recording, or otherwise. For information regarding permissions, request forms and the appropriate contacts within the Pearson Education Global Rights & Permissions department, please visit www.pearsoned.com/permissions/.

MATLAB is a registered trademark of The MathWorks, Inc., 3 Apple Hill Road, Natick, MA.

Library of Congress Cataloging-in-Publication Data

Names: Nilsson, James William, author. | Riedel, Susan A., author.

Title: Electric circuits / James W. Nilsson, professor emeritus Iowa State University, Susan A. Riedel, Marquette University.

Description: Eleventh edition. | Pearson, [2019] | Includes index.

Identifiers: LCCN 2017025128 | ISBN 9780134746968 | ISBN 0134746961

Subjects: LCSH: Electric circuits.

Classification: LCC TK454 .N54 2019 | DDC 621.319/2—dc23

LC record available at <https://lccn.loc.gov/2017025128>



Pearson

ISBN-10: 0-13-474696-1

ISBN-13: 978-0-13-474696-8



Courtesy of Anna Nilsson

In Memoriam

We remember our beloved author, James W. Nilsson, for his lasting legacy to the electrical and computer engineering field.

The first edition of *Electric Circuits* was published in 1983. As this book evolved over the years to better meet the needs of both students and their instructors, the underlying teaching methodologies Jim established remain relevant, even in the Eleventh Edition.

Jim earned his bachelor's degree at the University of Iowa (1948), and his master's degree (1952) and Ph.D. (1958) at Iowa State University. He joined the ISU faculty in 1948 and taught electrical engineering there for 39 years.

He became an IEEE fellow in 1990 and earned the prestigious IEEE Undergraduate Teaching Award in 1992.

For Anna

Brief Contents

1. [List of Examples xii](#)
2. [List of Tables xvi](#)
3. [List of Analysis Methods xvii](#)
4. [Preface xx](#)
1. [Chapter 1 Circuit Variables 2](#)
2. [Chapter 2 Circuit Elements 26](#)
3. [Chapter 3 Simple Resistive Circuits 58](#)
4. [Chapter 4 Techniques of Circuit Analysis 92](#)
5. [Chapter 5 The Operational Amplifier 150](#)
6. [Chapter 6 Inductance, Capacitance, and Mutual Inductance 182](#)
7. [Chapter 7 Response of First-Order RL and RC Circuits 220](#)
8. [Chapter 8 Natural and Step Responses of RLC Circuits 272](#)
9. [Chapter 9 Sinusoidal Steady-State Analysis 318](#)
10. [Chapter 10 Sinusoidal Steady-State Power Calculations 374](#)
11. [Chapter 11 Balanced Three-Phase Circuits 412](#)
12. [Chapter 12 Introduction to the Laplace Transform 444](#)
13. [Chapter 13 The Laplace Transform in Circuit Analysis 482](#)
14. [Chapter 14 Introduction to Frequency Selective Circuits 536](#)

15. [Chapter 15 Active Filter Circuits 572](#)
16. [Chapter 16 Fourier Series 618](#)
17. [Chapter 17 The Fourier Transform 660](#)
18. [Chapter 18 Two-Port Circuits 692](#)
1. [Appendix A The Solution of Linear Simultaneous Equations 718](#)
2. [Appendix B Complex Numbers 727](#)
3. [Appendix C More on Magnetically Coupled Coils and Ideal Transformers 733](#)
4. [Appendix D The Decibel 741](#)
5. [Appendix E Bode Diagrams 743](#)
6. [Appendix F An Abbreviated Table of Trigonometric Identities 757](#)
7. [Appendix G An Abbreviated Table of Integrals 758](#)
8. [Appendix H Common Standard Component Values 760](#)
9. [Answers to Selected Problems 761](#)
10. [Index 771](#)

Contents

1. [List of Examples xii](#)
2. [List of Tables xvi](#)
3. [List of Analysis Methods xvii](#)
4. [Preface xx](#)
1. [Chapter 1 Circuit Variables 2](#)
 1. [Practical Perspective: Balancing Power 3](#)
 1. [1.1 Electrical Engineering: An Overview 4](#)
 2. [1.2 The International System of Units 9](#)
 3. [1.3 Circuit Analysis: An Overview 11](#)
 4. [1.4 Voltage and Current 12](#)
 5. [1.5 The Ideal Basic Circuit Element 14](#)
 6. [1.6 Power and Energy 15](#)
 1. [Practical Perspective: Balancing Power 18](#)
 2. [Summary 19](#)
 3. [Problems 20](#)
2. [Chapter 2 Circuit Elements 26](#)
 1. [Practical Perspective: Heating with Electric Radiators 27](#)
 1. [2.1 Voltage and Current Sources 28](#)

2. [2.2 Electrical Resistance \(Ohm's Law\) 32](#)
3. [2.3 Constructing a Circuit Model 36](#)
4. [2.4 Kirchhoff's Laws 39](#)
5. [2.5 Analyzing a Circuit Containing Dependent Sources 45](#)
1. [Practical Perspective: Heating with Electric Radiators 48](#)
2. [Summary 50](#)
3. [Problems 50](#)
3. [Chapter 3 Simple Resistive Circuits 58](#)
 1. [Practical Perspective: Resistive Touch Screens 59](#)
 1. [3.1 Resistors in Series 60](#)
 2. [3.2 Resistors in Parallel 61](#)
 3. [3.3 The Voltage-Divider and Current-Divider Circuits 64](#)
 4. [3.4 Voltage Division and Current Division 68](#)
 5. [3.5 Measuring Voltage and Current 70](#)
 6. [3.6 Measuring Resistance—The Wheatstone Bridge 73](#)
 7. [3.7 Delta-to-Wye \(Pi-to-Tee\) Equivalent Circuits 75](#)
 1. [Practical Perspective: Resistive Touch Screens 78](#)
 2. [Summary 79](#)
 3. [Problems 80](#)
4. [Chapter 4 Techniques of Circuit Analysis 92](#)

1. [Practical Perspective: Circuits with Realistic Resistors 93](#)
 1. [4.1 Terminology 94](#)
 2. [4.2 Introduction to the Node-Voltage Method 96](#)
 3. [4.3 The Node-Voltage Method and Dependent Sources 98](#)
 4. [4.4 The Node-Voltage Method: Some Special Cases 100](#)
 5. [4.5 Introduction to the Mesh-Current Method 104](#)
 6. [4.6 The Mesh-Current Method and Dependent Sources 107](#)
 7. [4.7 The Mesh-Current Method: Some Special Cases 108](#)
 8. [4.8 The Node-Voltage Method Versus the Mesh-Current Method 112](#)
 9. [4.9 Source Transformations 115](#)
 10. [4.10 Thévenin and Norton Equivalents 118](#)
 11. [4.11 More on Deriving the Thévenin Equivalent 123](#)
 12. [4.12 Maximum Power Transfer 126](#)
 13. [4.13 Superposition 129](#)
 1. [Practical Perspective: Circuits with Realistic Resistors 131](#)
 2. [Summary 134](#)
 3. [Problems 136](#)
5. [Chapter 5 The Operational Amplifier 150](#)
 1. [Practical Perspective: Strain Gages 151](#)
 1. [5.1 Operational Amplifier Terminals 152](#)

2. [5.2 Terminal Voltages and Currents 152](#)
3. [5.3 The Inverting-Amplifier Circuit 156](#)
4. [5.4 The Summing-Amplifier Circuit 158](#)
5. [5.5 The Noninverting-Amplifier Circuit 160](#)
6. [5.6 The Difference-Amplifier Circuit 162](#)
7. [5.7 A More Realistic Model for the Operational Amplifier 167](#)
1. [Practical Perspective: Strain Gages 171](#)
2. [Summary 172](#)
3. [Problems 173](#)
6. [Chapter 6 Inductance, Capacitance, and Mutual Inductance 182](#)
 1. [Practical Perspective: Capacitive Touch Screens 183](#)
 1. [6.1 The Inductor 184](#)
 2. [6.2 The Capacitor 189](#)
 3. [6.3 Series-Parallel Combinations of Inductance and Capacitance 194](#)
 4. [6.4 Mutual Inductance 199](#)
 5. [6.5 A Closer Look at Mutual Inductance 203](#)
 1. [Practical Perspective: Capacitive Touch Screens 209](#)
 2. [Summary 211](#)
 3. [Problems 212](#)
7. [Chapter 7 Response of First-Order RL and RC Circuits 220](#)

1. [Practical Perspective: Artificial Pacemaker 221](#)
1. [7.1 The Natural Response of an RL Circuit 222](#)
2. [7.2 The Natural Response of an RC Circuit 228](#)
3. [7.3 The Step Response of RL and RC Circuits 233](#)
4. [7.4 A General Solution for Step and Natural Responses 241](#)
5. [7.5 Sequential Switching 246](#)
6. [7.6 Unbounded Response 250](#)
7. [7.7 The Integrating Amplifier 252](#)
1. [Practical Perspective: Artificial Pacemaker 255](#)
2. [Summary 256](#)
3. [Problems 256](#)
8. [Chapter 8 Natural and Step Responses of RLC Circuits 272](#)
 1. [Practical Perspective: Clock for Computer Timing 273](#)
 1. [8.1 Introduction to the Natural Response of a Parallel RLC Circuit 274](#)
 2. [8.2 The Forms of the Natural Response of a Parallel RLC Circuit 278](#)
 3. [8.3 The Step Response of a Parallel RLC Circuit 289](#)
 4. [8.4 The Natural and Step Response of a Series RLC Circuit 296](#)
 5. [8.5 A Circuit with Two Integrating Amplifiers 303](#)
 1. [Practical Perspective: Clock for Computer Timing 308](#)

2. [Summary 309](#)
3. [Problems 310](#)
9. [Chapter 9 Sinusoidal Steady-State Analysis 318](#)
 1. [Practical Perspective: A Household Distribution Circuit 319](#)
 1. [9.1 The Sinusoidal Source 320](#)
 2. [9.2 The Sinusoidal Response 323](#)
 3. [9.3 The Phasor 324](#)
 4. [9.4 The Passive Circuit Elements in the Frequency Domain 327](#)
 5. [9.5 Kirchhoff's Laws in the Frequency Domain 332](#)
 6. [9.6 Series, Parallel, and Delta-to-Wye Simplifications 333](#)
 7. [9.7 Source Transformations and Thévenin–Norton Equivalent Circuits 340](#)
 8. [9.8 The Node-Voltage Method 344](#)
 9. [9.9 The Mesh-Current Method 345](#)
 10. [9.10 The Transformer 347](#)
 11. [9.11 The Ideal Transformer 351](#)
 12. [9.12 Phasor Diagrams 357](#)
 1. [Practical Perspective: A Household Distribution Circuit 359](#)
 2. [Summary 361](#)
 3. [Problems 362](#)
10. [Chapter 10 Sinusoidal Steady-State Power Calculations 374](#)

1. [Practical Perspective: Vampire Power 375](#)
1. [10.1 Instantaneous Power 376](#)
2. [10.2 Average and Reactive Power 377](#)
3. [10.3 The rms Value and Power Calculations 382](#)
4. [10.4 Complex Power 384](#)
5. [10.5 Power Calculations 386](#)
6. [10.6 Maximum Power Transfer 393](#)
1. [Practical Perspective: Vampire Power 399](#)
2. [Summary 401](#)
3. [Problems 401](#)
11. [Chapter 11 Balanced Three-Phase Circuits 412](#)
 1. [Practical Perspective: Transmission and Distribution of Electric Power 413](#)
 1. [11.1 Balanced Three-Phase Voltages 414](#)
 2. [11.2 Three-Phase Voltage Sources 415](#)
 3. [11.3 Analysis of the Wye-Wye Circuit 416](#)
 4. [11.4 Analysis of the Wye-Delta Circuit 422](#)
 5. [11.5 Power Calculations in Balanced Three-Phase Circuits 425](#)
 6. [11.6 Measuring Average Power in Three-Phase Circuits 430](#)
 1. [Practical Perspective: Transmission and Distribution of Electric Power 433](#)

2. [Summary 435](#)
3. [Problems 436](#)
12. [Chapter 12 Introduction to the Laplace Transform 444](#)
 1. [Practical Perspective: Transient Effects 445](#)
 1. [12.1 Definition of the Laplace Transform 446](#)
 2. [12.2 The Step Function 447](#)
 3. [12.3 The Impulse Function 449](#)
 4. [12.4 Functional Transforms 452](#)
 5. [12.5 Operational Transforms 453](#)
 6. [12.6 Applying the Laplace Transform 458](#)
 7. [12.7 Inverse Transforms 460](#)
 8. [12.8 Poles and Zeros of \$F\(s\)\$ 470](#)
 9. [12.9 Initial-and Final-Value Theorems 472](#)
 1. [Practical Perspective: Transient Effects 474](#)
 2. [Summary 476](#)
 3. [Problems 477](#)
13. [Chapter 13 The Laplace Transform in Circuit Analysis 482](#)
 1. [Practical Perspective: Surge Suppressors 483](#)
 1. [13.1 Circuit Elements in the \$s\$ Domain 484](#)
 2. [13.2 Circuit Analysis in the \$s\$ Domain 486](#)

3. [13.3 Applications 488](#)
4. [13.4 The Transfer Function 500](#)
5. [13.5 The Transfer Function in Partial Fraction Expansions 502](#)
6. [13.6 The Transfer Function and the Convolution Integral 505](#)
7. [13.7 The Transfer Function and the Steady-State Sinusoidal Response 511](#)
8. [13.8 The Impulse Function in Circuit Analysis 514](#)
1. [Practical Perspective: Surge Suppressors 520](#)
2. [Summary 521](#)
3. [Problems 522](#)
14. [Chapter 14 Introduction to Frequency Selective Circuits 536](#)
 1. [Practical Perspective: Pushbutton Telephone Circuits 537](#)
 1. [14.1 Some Preliminaries 538](#)
 2. [14.2 Low-Pass Filters 539](#)
 3. [14.3 High-Pass Filters 545](#)
 4. [14.4 Bandpass Filters 550](#)
 5. [14.5 Bandreject Filters 560](#)
 1. [Practical Perspective: Pushbutton Telephone Circuits 564](#)
 2. [Summary 564](#)
 3. [Problems 565](#)
15. [Chapter 15 Active Filter Circuits 572](#)

1. [Practical Perspective: Bass Volume Control 573](#)
1. [15.1 First-Order Low-Pass and High-Pass Filters 574](#)
2. [15.2 Scaling 577](#)
3. [15.3 Op Amp Bandpass and Bandreject Filters 580](#)
4. [15.4 Higher-Order Op Amp Filters 587](#)
5. [15.5 Narrowband Bandpass and Bandreject Filters 600](#)
1. [Practical Perspective: Bass Volume Control 605](#)
2. [Summary 608](#)
3. [Problems 609](#)
16. [Chapter 16 Fourier Series 618](#)
 1. [Practical Perspective: Active High-Q Filters 619](#)
 1. [16.1 Fourier Series Analysis: An Overview 621](#)
 2. [16.2 The Fourier Coefficients 622](#)
 3. [16.3 The Effect of Symmetry on the Fourier Coefficients 625](#)
 4. [16.4 An Alternative Trigonometric Form of the Fourier Series 631](#)
 5. [16.5 An Application 633](#)
 6. [16.6 Average-Power Calculations with Periodic Functions 639](#)
 7. [16.7 The rms Value of a Periodic Function 641](#)
 8. [16.8 The Exponential Form of the Fourier Series 642](#)
 9. [16.9 Amplitude and Phase Spectra 645](#)

1. [Practical Perspective: Active High-Q Filters 647](#)
 2. [Summary 649](#)
 3. [Problems 650](#)
17. [Chapter 17 The Fourier Transform 660](#)
1. [Practical Perspective: Filtering Digital Signals 661](#)
 1. [17.1 The Derivation of the Fourier Transform 662](#)
 2. [17.2 The Convergence of the Fourier Integral 664](#)
 3. [17.3 Using Laplace Transforms to Find Fourier Transforms 666](#)
 4. [17.4 Fourier Transforms in the Limit 668](#)
 5. [17.5 Some Mathematical Properties 671](#)
 6. [17.6 Operational Transforms 672](#)
 7. [17.7 Circuit Applications 677](#)
 8. [17.8 Parseval's Theorem 679](#)
 1. [Practical Perspective: Filtering Digital Signals 685](#)
 2. [Summary 686](#)
 3. [Problems 686](#)
18. [Chapter 18 Two-Port Circuits 692](#)
1. [Practical Perspective: Characterizing an Unknown Circuit 693](#)
 1. [18.1 The Terminal Equations 694](#)
 2. [18.2 The Two-Port Parameters 695](#)

3. [18.3 Analysis of the Terminated Two-Port Circuit 703](#)
4. [18.4 Interconnected Two-Port Circuits 708](#)
1. [Practical Perspective: Characterizing an Unknown Circuit 711](#)
2. [Summary 712](#)
3. [Problems 713](#)
1. [Appendix A The Solution of Linear Simultaneous Equations 718](#)
 1. [A.1 Preliminary Steps 718](#)
 2. [A.2 Calculator and Computer Methods 719](#)
 3. [A.3 Paper-and-Pencil Methods 721](#)
 4. [A.4 Applications 723](#)
2. [Appendix B Complex Numbers 727](#)
 1. [B.1 Notation 727](#)
 2. [B.2 The Graphical Representation of a Complex Number 728](#)
 3. [B.3 Arithmetic Operations 729](#)
 4. [B.4 Useful Identities 730](#)
 5. [B.5 The Integer Power of a Complex Number 731](#)
 6. [B.6 The Roots of a Complex Number 731](#)
3. [Appendix C More on Magnetically Coupled Coils and Ideal Transformers 733](#)
 1. [C.1 Equivalent Circuits for Magnetically Coupled Coils 733](#)
 2. [C.2 The Need for Ideal Transformers in the Equivalent Circuits 737](#)

4. [Appendix D The Decibel 741](#)
5. [Appendix E Bode Diagrams 743](#)
 1. [E.1 Real, First-Order Poles and Zeros 743](#)
 2. [E.2 Straight-Line Amplitude Plots 744](#)
 3. [E.3 More Accurate Amplitude Plots 747](#)
 4. [E.4 Straight-Line Phase Angle Plots 748](#)
 5. [E.5 Bode Diagrams: Complex Poles and Zeros 750](#)
 6. [E.6 Straight-Line Amplitude Plots for Complex Poles 751](#)
 7. [E.7 Correcting Straight-Line Amplitude Plots for Complex Poles 752](#)
 8. [E.8 Phase Angle Plots for Complex Poles 754](#)
6. [Appendix F An Abbreviated Table of Trigonometric Identities 757](#)
7. [Appendix G An Abbreviated Table of Integrals 758](#)
8. [Appendix H Common Standard Component Values 760](#)
9. [Answers to Selected Problems 761](#)
10. [Index 771](#)

List of Examples

1. [Chapter 1](#)

1. [1.1 Using SI Units and Prefixes for Powers of 10 11](#)
2. [1.2 Relating Current and Charge 15](#)
3. [1.3 Using the Passive Sign Convention 17](#)
4. [1.4 Relating Voltage, Current, Power, and Energy 17](#)

2. [Chapter 2](#)

1. [2.1 Testing Interconnections of Ideal Sources 30](#)
2. [2.2 Testing Interconnections of Ideal Independent and Dependent Sources 31](#)
3. [2.3 Calculating Voltage, Current, and Power for a Simple Resistive Circuit 34](#)
4. [2.4 Constructing a Circuit Model of a Flashlight 36](#)
5. [2.5 Constructing a Circuit Model Based on Terminal Measurements 38](#)
6. [2.6 Using Kirchhoff's Current Law 41](#)
7. [2.7 Using Kirchhoff's Voltage Law 42](#)
8. [2.8 Applying Ohm's Law and Kirchhoff's Laws to Find an Unknown Current 42](#)
9. [2.9 Constructing a Circuit Model Based on Terminal Measurements 43](#)

10. [2.10 Analyzing a Circuit with a Dependent Source 45](#)
 11. [2.11 Applying Ohm's Law and Kirchhoff's Laws to Find an Unknown Voltage 46](#)
 12. [2.12 Applying Ohm's Law and Kirchhoff's Law in an Amplifier Circuit 47](#)
3. [Chapter 3](#)
1. [3.1 Applying Series-Parallel Simplification 62](#)
 2. [3.2 Solving a Circuit Using Series-Parallel Simplification 63](#)
 3. [3.3 Designing a Simple Voltage Divider 65](#)
 4. [3.4 Adding a Resistive Load to a Voltage Divider 65](#)
 5. [3.5 The Effect of Resistor Tolerance on the Voltage-Divider Circuit 66](#)
 6. [3.6 Designing a Current-Divider Circuit 67](#)
 7. [3.7 Using Voltage Division and Current Division to Solve a Circuit 69](#)
 8. [3.8 Using a d'Arsonval Ammeter 71](#)
 9. [3.9 Using a d'Arsonval Voltmeter 72](#)
 10. [3.10 Using a Wheatstone Bridge to Measure Resistance 75](#)
 11. [3.11 Applying a Delta-to-Wye Transform 77](#)
4. [Chapter 4](#)
1. [4.1 Identifying Node, Branch, Mesh, and Loop in a Circuit 94](#)
 2. [4.2 Using Essential Nodes and Essential Branches to Write](#)

[Simultaneous Equations 95](#)

3. [4.3 Using the Node-Voltage Method 97](#)
4. [4.4 Using the Node-Voltage Method with Dependent Sources 99](#)
5. [4.5 Node-Voltage Analysis of the Amplifier Circuit 102](#)
6. [4.6 Using the Mesh-Current Method 106](#)
7. [4.7 Using the Mesh-Current Method with Dependent Sources 107](#)
8. [4.8 A Special Case in the Mesh-Current Method 108](#)
9. [4.9 Mesh-Current Analysis of the Amplifier Circuit 111](#)
10. [4.10 Understanding the Node-Voltage Method Versus Mesh-Current Method 113](#)
11. [4.11 Comparing the Node-Voltage and Mesh-Current Methods 114](#)
12. [4.12 Using Source Transformations to Solve a Circuit 116](#)
13. [4.13 Using Special Source Transformation Techniques 117](#)
14. [4.14 Finding a Thévenin Equivalent 120](#)
15. [4.15 Finding a Norton Equivalent 121](#)
16. [4.16 Finding the Thévenin Equivalent of a Circuit with a Dependent Source 122](#)
17. [4.17 Finding the Thévenin Equivalent Resistance Directly from the Circuit 123](#)
18. [4.18 Finding the Thévenin Equivalent Resistance Using a Test Source 124](#)
19. [4.19 Finding the Thévenin Equivalent of a Circuit with Dependent](#)

[Sources and Resistors 124](#)

20. [4.20 Using a Thévenin Equivalent to Analyze the Amplifier Circuit 125](#)
21. [4.21 Calculating the Condition for Maximum Power Transfer 127](#)
22. [4.22 Using Superposition to Solve a Circuit 129](#)
23. [4.23 Using Superposition to Solve a Circuit with Dependent Sources 130](#)

5. [Chapter 5](#)

1. [5.1 Analyzing an Op Amp Circuit 155](#)
2. [5.2 Designing an Inverting Amplifier 157](#)
3. [5.3 Designing a Summing Amplifier 159](#)
4. [5.4 Designing a Noninverting Amplifier 161](#)
5. [5.5 Designing a Difference Amplifier 163](#)
6. [5.6 Calculating the CMRR 167](#)
7. [5.7 Analyzing a Noninverting-Amplifier Circuit using a Realistic Op Amp Model 169](#)

6. [Chapter 6](#)

1. [6.1 Determining the Voltage, Given the Current, at the Terminals of an Inductor 184](#)
2. [6.2 Determining the Current, Given the Voltage, at the Terminals of an Inductor 186](#)
3. [6.3 Determining the Current, Voltage, Power, and Energy for an Inductor 187](#)

4. [6.4 Determining Current, Voltage, Power, and Energy for a Capacitor 191](#)
5. [6.5 Finding \$v\$, \$p\$, and \$w\$ Induced by a Triangular Current Pulse for a Capacitor 192](#)
6. [6.6 Finding the Equivalent Inductance 196](#)
7. [6.7 Finding the Equivalent Capacitance 197](#)
8. [6.8 Finding Mesh-Current Equations for a Circuit with Magnetically Coupled Coils 201](#)
9. [6.9 Calculating the Coupling Coefficient and Stored Energy for Magnetically Coupled Coils 209](#)
7. [Chapter 7](#)
 1. [7.1 Determining the Natural Response of an RL Circuit 224](#)
 2. [7.2 Determining the Natural Response of an RL Circuit with Parallel Inductors 227](#)
 3. [7.3 Determining the Natural Response of an RC Circuit 230](#)
 4. [7.4 Determining the Natural Response of an RC Circuit with Series Capacitors 231](#)
 5. [7.5 Determining the Step Response of an RL Circuit 234](#)
 6. [7.6 Determining the Step Response of an RC Circuit 239](#)
 7. [7.7 Using the General Solution Method to Find an RL Circuit's Natural Response 242](#)
 8. [7.8 Using the General Solution Method to Find an RC Circuit's Step Response 243](#)
 9. [7.9 Using the General Solution Method to Find an RL Circuit's](#)

[Step Response 244](#)

10. [7.10 Determining the Step Response of a Circuit with Magnetically Coupled Coils 245](#)
 11. [7.11 Analyzing an RL Circuit that has Sequential Switching 247](#)
 12. [7.12 Analyzing an RC Circuit that has Sequential Switching 249](#)
 13. [7.13 Finding the Unbounded Response in an RC Circuit 251](#)
 14. [7.14 Analyzing an Integrating Amplifier 253](#)
 15. [7.15 Analyzing an Integrating Amplifier that has Sequential Switching 253](#)
8. [Chapter 8](#)
1. [8.1 Finding the Roots of the Characteristic Equation of a Parallel RLC Circuit 277](#)
 2. [8.2 Finding the Overdamped Natural Response of a Parallel RLC Circuit 280](#)
 3. [8.3 Calculating Branch Currents in the Natural Response of a Parallel RLC Circuit 281](#)
 4. [8.4 Finding the Underdamped Natural Response of a Parallel RLC Circuit 284](#)
 5. [8.5 Finding the Critically Damped Natural Response of a Parallel RLC Circuit 288](#)
 6. [8.6 Finding the Overdamped Step Response of a Parallel RLC Circuit 293](#)
 7. [8.7 Finding the Underdamped Step Response of a Parallel RLC Circuit 294](#)

8. [8.8 Finding the Critically Damped Step Response of a Parallel RLC Circuit 294](#)
9. [8.9 Comparing the Three-Step Response Forms 295](#)
10. [8.10 Finding Step Response of a Parallel RLC Circuit with Initial Stored Energy 295](#)
11. [8.11 Finding the Natural Response of a Series RLC Circuit 302](#)
12. [8.12 Finding the Step Response of a Series RLC Circuit 302](#)
13. [8.13 Analyzing Two Cascaded Integrating Amplifiers 305](#)
14. [8.14 Analyzing Two Cascaded Integrating Amplifiers with Feedback Resistors 307](#)
9. [Chapter 9](#)
 1. [9.1 Finding the Characteristics of a Sinusoidal Current 321](#)
 2. [9.2 Finding the Characteristics of a Sinusoidal Voltage 322](#)
 3. [9.3 Translating a Sine Expression to a Cosine Expression 322](#)
 4. [9.4 Calculating the rms Value of a Triangular Waveform 322](#)
 5. [9.5 Adding Cosines Using Phasors 326](#)
 6. [9.6 Calculating Component Voltages Using Phasor Techniques 331](#)
 7. [9.7 Using KVL in the Frequency Domain 333](#)
 8. [9.8 Combining Impedances in Series 334](#)
 9. [9.9 Combining Impedances in Series and in Parallel 337](#)
 10. [9.10 Using a Delta-to-Wye Transform in the Frequency Domain 339](#)

11. [9.11 Performing Source Transformations in the Frequency Domain 341](#)
 12. [9.12 Finding a Thévenin Equivalent in the Frequency Domain 342](#)
 13. [9.13 Using the Node-Voltage Method in the Frequency Domain 344](#)
 14. [9.14 Using the Mesh-Current Method in the Frequency Domain 346](#)
 15. [9.15 Analyzing a Linear Transformer in the Frequency Domain 349](#)
 16. [9.16 Analyzing an Ideal Transformer Circuit in the Frequency Domain 355](#)
 17. [9.17 Using Phasor Diagrams to Analyze a Circuit 357](#)
 18. [9.18 Using Phasor Diagrams to Analyze Capacitive Loading Effects 358](#)
10. [Chapter 10](#)
1. [10.1 Calculating Average and Reactive Power 380](#)
 2. [10.2 Making Power Calculations Involving Household Appliances 382](#)
 3. [10.3 Determining Average Power Delivered to a Resistor by a Sinusoidal Voltage 384](#)
 4. [10.4 Calculating Complex Power 385](#)
 5. [10.5 Calculating Power Using Phasor Voltage and Current 387](#)
 6. [10.6 Calculating Average and Reactive Power 389](#)
 7. [10.7 Calculating Power in Parallel Loads 390](#)

8. [10.8 Balancing Power Delivered with Power Absorbed in an AC Circuit 391](#)
 9. [10.9 Determining Maximum Power Transfer without Load Restrictions 395](#)
 10. [10.10 Determining Maximum Power Transfer with Load Impedance Restriction 396](#)
 11. [10.11 Finding Maximum Power Transfer with Impedance Angle Restrictions 396](#)
 12. [10.12 Finding Maximum Power Transfer in a Circuit with an Ideal Transformer 397](#)
11. [Chapter 11](#)
 1. [11.1 Analyzing a Wye-Wye Circuit 420](#)
 2. [11.2 Analyzing a Wye-Delta Circuit 423](#)
 3. [11.3 Calculating Power in a Three-Phase Wye-Wye Circuit 428](#)
 4. [11.4 Calculating Power in a Three-Phase Wye-Delta Circuit 428](#)
 5. [11.5 Calculating Three-Phase Power with an Unspecified Load 429](#)
 6. [11.6 Computing Wattmeter Readings in Three-Phase Circuits 432](#)
 12. [Chapter 12](#)
 1. [12.1 Using Step Functions to Represent a Function of Finite Duration 448](#)
 2. [12.2 Using Laplace Transforms to Predict a Circuit's Response 460](#)
 3. [12.3 Finding the Inverse Laplace Transform when \$F\(s\)\$ has Distinct Real Roots 462](#)

4. [12.4 Finding the Inverse Laplace Transform when F\(s\) has Distinct Complex Roots 465](#)
5. [12.5 Finding the Inverse Laplace Transform when F\(s\) has Repeated Real Roots 467](#)
6. [12.6 Finding the Inverse Laplace Transform when F\(s\) has Repeated Complex Roots 468](#)
7. [12.7 Finding the Inverse Laplace Transform of an Improper Rational Function 470](#)
8. [12.8 Finding and Plotting the Poles and Zeros of an s-Domain Function 471](#)
9. [12.9 Applying the Initial-and Final-Value Theorems 474](#)
13. [Chapter 13](#)
 1. [13.1 Transforming a Circuit into the s Domain 488](#)
 2. [13.2 The Natural Response of an RC Circuit 489](#)
 3. [13.3 The Step Response of an RLC Circuit 489](#)
 4. [13.4 Analyzing a Circuit with a Sinusoidal Source 491](#)
 5. [13.5 Analyzing a Circuit with Multiple Meshes 493](#)
 6. [13.6 Creating a Thévenin Equivalent in the s Domain 495](#)
 7. [13.7 Analyzing a Circuit with Mutual Inductance 497](#)
 8. [13.8 Applying Superposition in the s Domain 499](#)
 9. [13.9 Deriving the Transfer Function of a Circuit 501](#)
 10. [13.10 Analyzing the Transfer Function of a Circuit 503](#)

11. [13.11 Using the Convolution Integral to Find an Output Signal 509](#)
 12. [13.12 Using the Transfer Function to Find the Steady-State Sinusoidal Response 513](#)
 13. [13.13 A Series Inductor Circuit with an Impulsive Response 515](#)
 14. [13.14 A Circuit with Both Internally Generated and Externally Applied Impulses 518](#)
14. [Chapter 14](#)
1. [14.1 Designing a Low-Pass Filter 543](#)
 2. [14.2 Designing a Series RC Low-Pass Filter 544](#)
 3. [14.3 Designing a Series RL High-Pass Filter 547](#)
 4. [14.4 Loading the Series RL High-Pass Filter 548](#)
 5. [14.5 Designing a Bandpass Filter 555](#)
 6. [14.6 Designing a Parallel RLC Bandpass Filter 555](#)
 7. [14.7 Determining Effect of a Nonideal Voltage Source on a RLC Bandpass Filter 557](#)
 8. [14.8 Designing a Series RLC Bandreject Filter 562](#)
15. [Chapter 15](#)
1. [15.1 Designing a Low-Pass Op Amp Filter 575](#)
 2. [15.2 Designing a High-Pass Op Amp Filter 576](#)
 3. [15.3 Scaling a Series RLC Filter 578](#)
 4. [15.4 Scaling a Prototype Low-Pass Op Amp Filter 579](#)

5. [15.5 Designing a Broadband Bandpass Op Amp Filter 583](#)
6. [15.6 Designing a Broadband Bandreject Op Amp Filter 586](#)
7. [15.7 Designing a Fourth-Order Low-Pass Active Filter 589](#)
8. [15.8 Calculating Butterworth Transfer Functions 592](#)
9. [15.9 Designing a Fourth-Order Low-Pass Butterworth Filter 594](#)
10. [15.10 Determining the Order of a Butterworth Filter 597](#)
11. [15.11 An Alternate Approach to Determining the Order of a Butterworth Filter 597](#)
12. [15.12 Designing a Butterworth Bandpass Filter 599](#)
13. [15.13 Designing a High-Q Bandpass Filter 602](#)
14. [15.14 Designing a High-Q Bandreject Filter 604](#)
16. [Chapter 16](#)
 1. [16.1 Finding the Fourier Series of a Triangular Waveform 623](#)
 2. [16.2 Finding the Fourier Series of a Periodic Function with Symmetry 630](#)
 3. [16.3 Calculating Forms of the Trigonometric Fourier Series for Periodic Voltage 632](#)
 4. [16.4 Finding the Response of an RLC Circuit to a Square-Wave Voltage 637](#)
 5. [16.5 Calculating Average Power for a Circuit with a Periodic Voltage Source 640](#)
 6. [16.6 Estimating the rms Value of a Periodic Function 642](#)

7. [16.7 Finding the Exponential Form of the Fourier Series 644](#)
8. [16.8 Plotting the Amplitude and Phase Spectra for a Periodic Voltage 646](#)

17. [Chapter 17](#)

1. [17.1 Finding the Fourier Transform of a Constant 665](#)
2. [17.2 Finding the Fourier Transform from the Laplace Transform 667](#)
3. [17.3 Deriving an Operational Fourier Transform 675](#)
4. [17.4 Using the Fourier Transform to Find the Transient Response 677](#)
5. [17.5 Using the Fourier Transform to Find the Sinusoidal Steady-State Response 678](#)
6. [17.6 Applying Parseval's Theorem 681](#)
7. [17.7 Applying Parseval's Theorem to an Ideal Bandpass Filter 682](#)
8. [17.8 Applying Parseval's Theorem to a Low-Pass Filter 683](#)
9. [17.9 Calculating Energy Contained in a Rectangular Voltage Pulse 684](#)

18. [Chapter 18](#)

1. [18.1 Finding the z Parameters of a Two-Port Circuit 696](#)
2. [18.2 Finding the a Parameters from Measurements 697](#)
3. [18.3 Finding h Parameters from Measurements and Table 18.1 700](#)
4. [18.4 Determining Whether a Circuit Is Reciprocal and Symmetric 701](#)

5. [18.5 Analyzing a Terminated Two-Port Circuit 707](#)
6. [18.6 Analyzing Cascaded Two-Port Circuits 710](#)

List of Tables

1. [1.1 The International System of Units \(SI\) 10](#)
2. [1.2 Derived Units in SI 10](#)
3. [1.3 Standardized Prefixes to Signify Powers of 10 10](#)
4. [1.4 Interpretation of Reference Directions in Fig. 1.5 14](#)
5. [1.5 Voltage and Current Values for the Circuit in Fig. 1.7 19](#)
6. [4.1 Terms for Describing Circuits 95](#)
7. [4.2 PSpice Sensitivity Analysis Results 133](#)
8. [4.3 Steps in the Node-Voltage Method and the Mesh-Current Method 135](#)
9. [6.1 Inductor and Capacitor Duality 198](#)
10. [7.1 Value of \$e^{-t/\tau}\$ For \$t\$ Equal to Integral Multiples of \$\tau\$ 226](#)
11. [8.1 Natural-Response Parameters of the Parallel RLC Circuit 276](#)
12. [8.2 Equations for Analyzing the Natural Response of Parallel RLC Circuits 288](#)
13. [8.3 Equations for Analyzing the Step Response of Parallel RLC Circuits 293](#)
14. [8.4 Equations for Analyzing the Natural Response of Series RLC Circuits 299](#)
15. [8.5 Equations for Analyzing the Step Response of Series RLC Circuits 301](#)

16. [9.1 Impedance and Reactance Values 331](#)
17. [9.2 Admittance and Susceptance Values 336](#)
18. [9.3 Impedance and Related Values 361](#)
19. [10.1 Annual Energy Requirements of Electric Household Appliances 381](#)
20. [10.2 Three Power Quantities and Their Units 385](#)
21. [10.3 Average Power Consumption of Common Electrical Devices 399](#)
22. [12.1 An Abbreviated List of Laplace Transform Pairs 453](#)
23. [12.2 An Abbreviated List of Operational Transforms 458](#)
24. [12.3 Four Useful Transform Pairs 469](#)
25. [13.1 Summary of the s-Domain Equivalent Circuits 486](#)
26. [14.1 Input and Output Voltage Magnitudes for Several Frequencies 543](#)
27. [15.1 Normalized \(so that \$\omega_c=1\$ rad/s \) Butterworth Polynomials up to the Eighth Order 593](#)
28. [17.1 Fourier Transforms of Elementary Functions 670](#)
29. [17.2 Operational Transforms 675](#)
30. [18.1 Parameter Conversion Table 699](#)
31. [18.2 Two-Port Parameter Relationships for Reciprocal Circuits 701](#)
32. [18.3 Terminated Two-Port Equations 704](#)

List of Analysis Methods

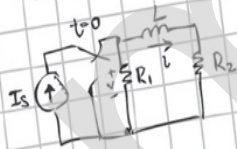
1. [Analysis Method 4.1: The Basic Version of the Node-Voltage Method 97](#)
2. [Analysis Method 4.2: Modified Step 3 for the Node-Voltage Method 99](#)
3. [Analysis Method 4.3: Complete Form of the Node-Voltage Method 102](#)
4. [Analysis Method 4.4: The Basic Version of the Mesh-Current Method 105](#)
5. [Analysis Method 4.5: Modified Step 3 for the Mesh-Current Method 107](#)
6. [Analysis Method 4.6: Complete Form of the Mesh-Current Method 110](#)
7. [Analysis Method 5.1: Analyzing an Ideal Op Amp Circuit with a Negative Feedback Path 154](#)
8. [Analysis Method 7.1: Finding the RL Natural Response 224](#)
9. [Analysis Method 7.2: Finding the RC Natural Response 230](#)
10. [Analysis Method 7.3: Finding the RL Step Response 234](#)
11. [Analysis Method 7.4: Finding the RC Step Response 238](#)
12. [Analysis Method 7.5: Finding the RL and RC Natural and Step Response 242](#)
13. [Analysis Method 8.1: The Natural Response of an Overdamped Parallel Rlc Circuit 280](#)
14. [Analysis Method 8.2: The Natural Response of an Overdamped or Underdamped Parallel RLC Circuit 283](#)

15. [Analysis Method 8.3: The Natural Response of Parallel RLC Circuits 287](#)
16. [Analysis Method 8.4: The Step Response of Parallel RLC Circuits 292](#)
17. [Analysis Method 8.5: The Natural Response of Series RLC Circuits 299](#)
18. [Analysis Method 8.6: The Step Response of Series RLC Circuits 301](#)
19. [Analysis Method 13.1: Laplace-Transform Circuit Analysis Method 487](#)

Combine this...

Sample

PART A



Given:
 $I_s = 51.0 \text{ mA}$
 $R_1 = 54.0 \text{ k}\Omega$
 $R_2 = 51.0 \text{ k}\Omega$
 $L = 51.0 \text{ mH}$

Find:
Initial current $i(0^-)$
before break switch



$I_s = i$
 $i = 51.0 \text{ mA}$

Assume when circuit is in steady state, inductor acts as a short



Use Kirchhoff's current law

$$I_s = i + i_R$$

$$I_s = i + \frac{V}{R}$$

$$I_s = i + \frac{i R_1}{R_2}$$

$$I_s = i \left(1 + \frac{R_1}{R_2} \right)$$

$$I_s = i \left(1 + \frac{R_1}{R_2} \right)$$

$$i = \frac{51.0 \text{ mA}}{\left(1 + \frac{54.0 \text{ k}\Omega}{51.0 \text{ k}\Omega} \right)} = 24.77 \text{ mA}$$

$$V = iR$$
$$L = \frac{V}{R}$$

With the Power of Mastering Engineering for Electric Circuits 11/e

Mastering is the teaching and learning platform that empowers every student. By combining trusted authors' content with digital tools developed to engage students and emulate the office hours experience, Mastering personalizes learning and improves results for each student.

The screenshot shows a laptop displaying the Mastering Engineering interface. The page title is "The Natural Response of an RL Circuit".

Learning Goal:
To analyze an RL circuit to determine the initial current through an inductor, the time constant, and the expression for the natural response of the inductor current, and to use the expression for the inductor current to find other circuit quantities, such as current, voltage, power, or energy.
The natural response of an RL circuit is the response of the inductor current to the sudden removal of a DC source. When this occurs, the inductor releases the stored energy.

Figure 1 of 2

Part A
For the given circuit (Figure 1), assume the make-before-break switch has been up for a long time and moves down at $t = 0$. Find the initial current through the inductor. Assume that $I_s = 51.0 \text{ mA}$, $R_1 = 64.0 \text{ k}\Omega$, $R_2 = 51.0 \text{ k}\Omega$, and $L = 51.0 \text{ mH}$.
Express your answer to three significant figures and include the appropriate units.

Hints

$i(0^-) = i(0^+) =$

Submit **My Answers** **Give Up**

Incorrect; Try Again; 4 attempts remaining
Note that elements in series have the same current but the inductor is not in series with the current source. Use Kirchhoff's current law or the current divider to find the initial inductor current.

Part B
The As
Ex
p

Incorrect; Try Again; 4 attempts remaining
Note that elements in series have the same current but the inductor is not in series with the current source. Use Kirchhoff's current law or the current divider to find the initial inductor current.

Empower each learner

Each student learns at a different pace. Personalized learning, including adaptive tools and wrong-answer feedback, pinpoints the precise areas where each student needs practice, giving all students the support they need — when and where they need it — to be successful.

Learn more at www.pearson.com/mastering/engineering

Preface

The Eleventh Edition of *Electric Circuits* represents the most extensive revision to the text since the Fifth Edition, published in 1996. Every sentence, paragraph, subsection, and chapter has been examined to improve clarity, readability, and pedagogy. Yet the fundamental goals of the text are unchanged. These goals are:

- To build new concepts and ideas on concepts previously presented. This challenges students to see the explicit connections among the many circuit analysis tools and methods.
- To develop problem-solving skills that rely on a solid conceptual foundation. This challenges students to examine many different approaches to solving a problem before writing a single equation.
- To introduce realistic engineering experiences at every opportunity. This challenges students to develop the insights of a practicing engineer and exposes them to practice of engineering.

Why This Edition?

The Eleventh Edition of *Electric Circuits* incorporates the following new and revised elements:

- Analysis Methods – This new feature identifies the steps needed to apply a particular circuit analysis technique. Many students struggle just to get started when analyzing a circuit, and the analysis methods will reduce that struggle. Some of the analysis methods that are used most often can be found inside the book's covers for easy reference.
- Examples – Many students rely on examples when developing and refining their problem-solving skills. We identified many places in the text that needed additional examples, and as a result the number of

examples has increased by nearly 35% to 200.

- End-of-chapter problems – Problem solving is fundamental to the study of circuit analysis. Having a wide variety of problems to assign and work is a key to success in any circuits course. Therefore, some existing end-of-chapter problems were revised, and some new end-of-chapter problems were added. Approximately 30% of the problems in the Eleventh Edition were rewritten.
- Fundamental equations and concepts – These important elements in the text were previously identified with margin notes. In this edition, the margin notes have been replaced by a second-color background, enlarged fonts, and a descriptive title for each fundamental equation and concept. In addition, many equation numbers have been eliminated to make it easier to distinguish fundamental equations from the many other equations in the text.
- Circuit simulation software – The PSpice[®] and Multisim[®] manuals have been revised to include screenshots from the most recent versions of these software simulation applications. Each manual presents the simulation material in the same order as the material is encountered in the text. These manuals include example simulations of circuits from the text. Icons identify end-of-chapter problems that are good candidates for simulation using either PSpice or Multisim.
- Solving simultaneous equations – Most circuit analysis techniques in this text eventually require you to solve two or more simultaneous linear algebraic equations. [Appendix A](#) has been extensively revised and includes examples of paper-and-pencil techniques, calculator techniques, and computer software techniques.
- Student workbook – Students who could benefit from additional examples and practice problems can use the Student Workbook, which has been revised for the Eleventh Edition of the text. This workbook has examples and problems covering the following material: balancing power, simple resistive circuits, node voltage method, mesh current method, Thévenin and Norton equivalents, op amp circuits, first-order circuits, second-order circuits, AC steady-state analysis, and Laplace

transform circuit analysis.

- The Student Workbook now includes access to Video Solutions, complete, step-by-step solution walkthroughs to representative homework problems.
- Learning Catalytics, a “bring your own device” student engagement, assessment, and classroom intelligence system is available with the Eleventh Edition. With Learning Catalytics you can:
 - Use open-ended questions to get into the minds of students to understand what they do or don’t know and adjust lectures accordingly.
 - Use a wide variety of question types to sketch a graph, annotate a circuit diagram, compose numeric or algebraic answers, and more.
 - Access rich analytics to understand student performance.
 - Use pre-built questions or add your own to make Learning Catalytics fit your course exactly.
- Pearson Mastering Engineering is an online tutorial and assessment program that provides students with personalized feedback and hints and instructors with diagnostics to track students’ progress. With the Eleventh Edition, Mastering Engineering will offer new enhanced end-of-chapter problems with hints and feedback, Coaching Activities, and Adaptive Follow-Up assignments. Visit www.masteringengineering.com for more information.

Hallmark Features

Analysis Methods

Students encountering circuit analysis for the first time can benefit from step-

by-step directions that lead them to a problem's solution. We have compiled these directions in a collection of analysis methods, and revised many of the examples in the text to employ these analysis methods.

Chapter Problems

Users of *Electric Circuits* have consistently rated the Chapter Problems as one of the book's most attractive features. In the Eleventh Edition, there are 1185 end-of-chapter problems with approximately 30% that have been revised from the previous edition. Problems are organized at the end of each chapter by section.

Practical Perspectives

The Eleventh Edition continues using Practical Perspectives to introduce the chapter. They provide real-world circuit examples, taken from real-world devices. Every chapter begins by describing a practical application of the material that follows. After presenting that material, the chapter revisits the Practical Perspective, performing a quantitative circuit analysis using the newly introduced chapter material. A special icon identifies end-of-chapter problems directly related to the Practical Perspective application. These problems provide additional opportunities for solving real-world problems using the chapter material.

Assessment Problems

Each chapter begins with a set of chapter objectives. At key points in the chapter, you are asked to stop and assess your mastery of a particular objective by solving one or more assessment problems. The answers to all of the assessment problems are given at the conclusion of each problem, so you can check your work. If you are able to solve the assessment problems for a given objective, you have mastered that objective. If you need more practice, several end-of-chapter problems that relate to the objective are suggested at the conclusion of the assessment problems.

Examples

Every chapter includes many examples that illustrate the concepts presented in the text in the form of a numeric example. There are now nearly 200 examples in this text, an increase of about 35% when compared to the previous edition. The examples illustrate the application of a particular concept, often employ an Analysis Method, and exemplify good problem-solving skills.

Fundamental Equations and Concepts

Throughout the text, you will see fundamental equations and concepts set apart from the main text. This is done to help you focus on some of the key principles in electric circuits and to help you navigate through the important topics.

Integration of Computer Tools

Computer tools can assist students in the learning process by providing a visual representation of a circuit's behavior, validating a calculated solution, reducing the computational burden of more complex circuits, and iterating toward a desired solution using parameter variation. This computational support is often invaluable in the design process. The Eleventh Edition supports PSpice and Multisim, both popular computer tools for circuit simulation and analysis. Chapter problems suited for exploration with PSpice and Multisim are marked accordingly.

Design Emphasis

The Eleventh Edition continues to support the emphasis on the design of circuits in many ways. First, many of the Practical Perspective discussions focus on the design aspects of the circuits. The accompanying Chapter Problems continue the discussion of the design issues in these practical examples. Second, design-oriented Chapter Problems have been labeled explicitly, enabling students and instructors to identify those problems with a design focus. Third, the identification of problems suited to exploration with PSpice or Multisim suggests design opportunities using these software tools. Fourth, some problems in nearly every chapter focus on the use of realistic component values in achieving a desired circuit design. Once such a problem has been analyzed, the student can proceed to a laboratory to build and test the circuit, comparing the analysis with the measured performance of the actual circuit.

Accuracy

All text and problems in the Eleventh Edition have undergone our strict hallmark accuracy checking process, to ensure the most error-free book possible.

Resources For Students

Mastering Engineering. Mastering Engineering provides tutorial homework problems designed to emulate the instructor's office hour environment, guiding students through engineering concepts with self-paced individualized coaching. These in-depth tutorial homework problems provide students with feedback specific to their errors and optional hints that break problems down into simpler steps. Visit www.masteringengineering.com for more information.

Learning Catalytics. Learning Catalytics is an interactive student response tool that encourages team-based learning by using student's smartphones, tablets, or laptops to engage them in interactive tasks and thinking. Visit www.learningcatalytics.com for more information.

Student Workbook. This resource teaches students techniques for solving problems presented in the text. Organized by concepts, this is a valuable problem-solving resource for all levels of students. The Student Workbook now includes access to Video Solutions, complete, step-by-step solution walkthroughs to representative homework problems.

Introduction to Multisim and Introduction to PSpice Manuals—Updated for the Eleventh Edition, these manuals are excellent resources for those wishing to integrate PSpice or Multisim into their classes.

Resources for Instructors

All instructor resources are available for download at www.pearsonhighered.com. If you are in need of a login and password for this site, please contact your local Pearson representative.

Instructor Solutions Manual—Fully worked-out solutions to Assessment Problems and end-of-chapter problems.

PowerPoint lecture images—All figures from the text are available in PowerPoint for your lecture needs. An additional set of full lecture slides with embedded assessment questions are available upon request.

MasteringEngineering. This online tutorial and assessment program allows you to integrate dynamic homework with automated grading and personalized feedback. MasteringEngineering allows you to easily track the performance of your entire class on an assignment-by-assignment basis, or the detailed work of an individual student. For more information visit www.masteringengineering.com.

Learning Catalytics—This “bring your own device” student engagement, assessment and classroom intelligence system enables you to measure student learning during class, and adjust your lectures accordingly. A wide variety of question and answer types allows you to author your own questions, or you can use questions already authored into the system. For more information visit www.learningcatalytics.com or click on the Learning Catalytics link

inside Mastering Engineering.

Prerequisites

In writing the first 12 chapters of the text, we have assumed that the reader has taken a course in elementary differential and integral calculus. We have also assumed that the reader has had an introductory physics course, at either the high school or university level, that introduces the concepts of energy, power, electric charge, electric current, electric potential, and electromagnetic fields. In writing the final six chapters, we have assumed the student has had, or is enrolled in, an introductory course in differential equations.

Course Options

The text has been designed for use in a one-semester, two-semester, or a three-quarter sequence.

- Single-semester course: After covering [Chapters 1–4](#) and [Chapters 6–10](#) (omitting [Sections 7.7](#) and [8.5](#)) the instructor can develop the desired emphasis by covering [Chapter 5](#) (operational amplifiers), [Chapter 11](#) (three-phase circuits), [Chapters 13](#) and [14](#) (Laplace methods), or [Chapter 18](#) (Two-Port Circuits).
- Two-semester sequence: Assuming three lectures per week, cover the first nine chapters during the first semester, leaving [Chapters 10–18](#) for the second semester.
- Academic quarter schedule: Cover [Chapters 1–6](#) in the first quarter, [Chapters 7–12](#) in the second quarter, and [Chapters 13–18](#) in the third quarter.

Note that the introduction to operational amplifier circuits in [Chapter 5](#) can be omitted with minimal effect on the remaining material. If [Chapter 5](#) is omitted, you should also omit [Section 7.7](#), [Section 8.5](#), [Chapter 15](#), and those assessment problems and end-of-chapter problems that pertain to operational

amplifiers.

There are several appendixes at the end of the book to help readers make effective use of their mathematical background. [Appendix A](#) presents several different methods for solving simultaneous linear equations; complex numbers are reviewed in [Appendix B](#); [Appendix C](#) contains additional material on magnetically coupled coils and ideal transformers; [Appendix D](#) contains a brief discussion of the decibel; [Appendix E](#) is dedicated to Bode diagrams; [Appendix F](#) is devoted to an abbreviated table of trigonometric identities that are useful in circuit analysis; and an abbreviated table of useful integrals is given in [Appendix G](#). [Appendix H](#) provides tables of common standard component values for resistors, inductors, and capacitors, to be used in solving many end-of-chapter problems. Selected Answers provides answers to selected end-of-chapter problems.

Acknowledgments

I will be forever grateful to Jim Nilsson for giving me the opportunity to collaborate with him on this textbook. I started by revising the PSpice supplement for the Third Edition, and became a co-author of the Fifth Edition. Jim was a patient and gracious mentor, and I learned so much from him about teaching and writing and hard work. It is a great honor to be associated with him through this textbook, and to impact the education of the thousands of students who use this text.

There were many hard-working people behind the scenes at our publisher who deserve my thanks and gratitude for their efforts on behalf of the Eleventh Edition. At Pearson, I would like to thank Norrin Dias, Erin Ault, Rose Kernan, and Scott Disanno for their continued support and encouragement, their professional demeanor, their willingness to lend an ear, and their months of long hours and no weekends. The author would also like to acknowledge the staff at Integra Software Solutions for their dedication and hard work in typesetting this text.

I am very grateful for the many instructors and students who have done formal reviews of the text or offered positive feedback and suggestions for

improvement more informally. I am pleased to receive email from instructors and students who use the book, even when they are pointing out an error I failed to catch in the review process. I have been contacted by people who use our text from all over the world, and I thank all of you for taking the time to do so. I use as many of your suggestions as possible to continue to improve the content, the pedagogy, and the presentation in this text. I am privileged to have the opportunity to impact the educational experience of the many thousands of future engineers who will use this text.

Susan A. Riedel

Electric Circuits

Eleventh Edition

Sample

Chapter 1 Circuit Variables

Sample

Chapter Contents

1. [1.1 Electrical Engineering: An Overview](#)
2. [1.2 The International System of Units](#)
3. [1.3 Circuit Analysis: An Overview](#)
4. [1.4 Voltage and Current](#)
5. [1.5 The Ideal Basic Circuit Element](#)
6. [1.6 Power and Energy](#)

Chapter Objectives

1. Understand and be able to use SI units and the standard prefixes for powers of 10.
2. Know and be able to use the definitions of *voltage* and *current*.
3. Know and be able to use the definitions of *power* and *energy*.
4. Be able to use the passive sign convention to calculate the power for an ideal basic circuit element given its voltage and current.

Electrical engineering is an exciting and challenging profession for anyone who has a genuine interest in, and aptitude for, applied science and mathematics. Electrical engineers play a dominant role in developing systems that change the way people live and work. Satellite communication links, cell phones, computers, televisions, diagnostic and surgical medical equipment, robots, and aircraft represent systems that define a modern technological society. As an electrical engineer, you can participate in this ongoing technological revolution by improving and refining existing systems and by discovering and developing new systems to meet the needs of our ever-changing society.

This text introduces you to electrical engineering using the analysis and design of linear circuits. We begin by presenting an overview of electrical engineering, some ideas about an engineering point of view as it relates to circuit analysis, and a review of the International System of Units. We then describe generally what circuit analysis entails. Next, we introduce the concepts of voltage and current. We continue by discussing the ideal basic element and the need for a polarity reference system. We conclude the chapter by describing how current and voltage relate to power and energy.

Practical Perspective

Balancing Power

One of the most important skills you will develop is the ability to check your answers for the circuits you design and analyze using the tools developed in this text. A common method used to check for valid answers is to calculate the power in the circuit. The linear circuits we study have no net power, so the sum of the power associated with all circuit components must be zero. If the total power for the circuit is zero, we say that the power balances, but if the total power is not zero, we need to find the errors in our calculation.

As an example, we will consider a simple model for distributing electricity to a typical home. (Note that a more realistic model will be investigated in the Practical Perspective for [Chapter 9](#).) The components labeled a and b represent the source of electrical power for the home. The components labeled c, d, and e represent the wires that carry the electrical current from the source to the devices in the home requiring electrical power. The components labeled f, g, and h represent lamps, televisions, hair dryers, refrigerators, and other devices that require power.

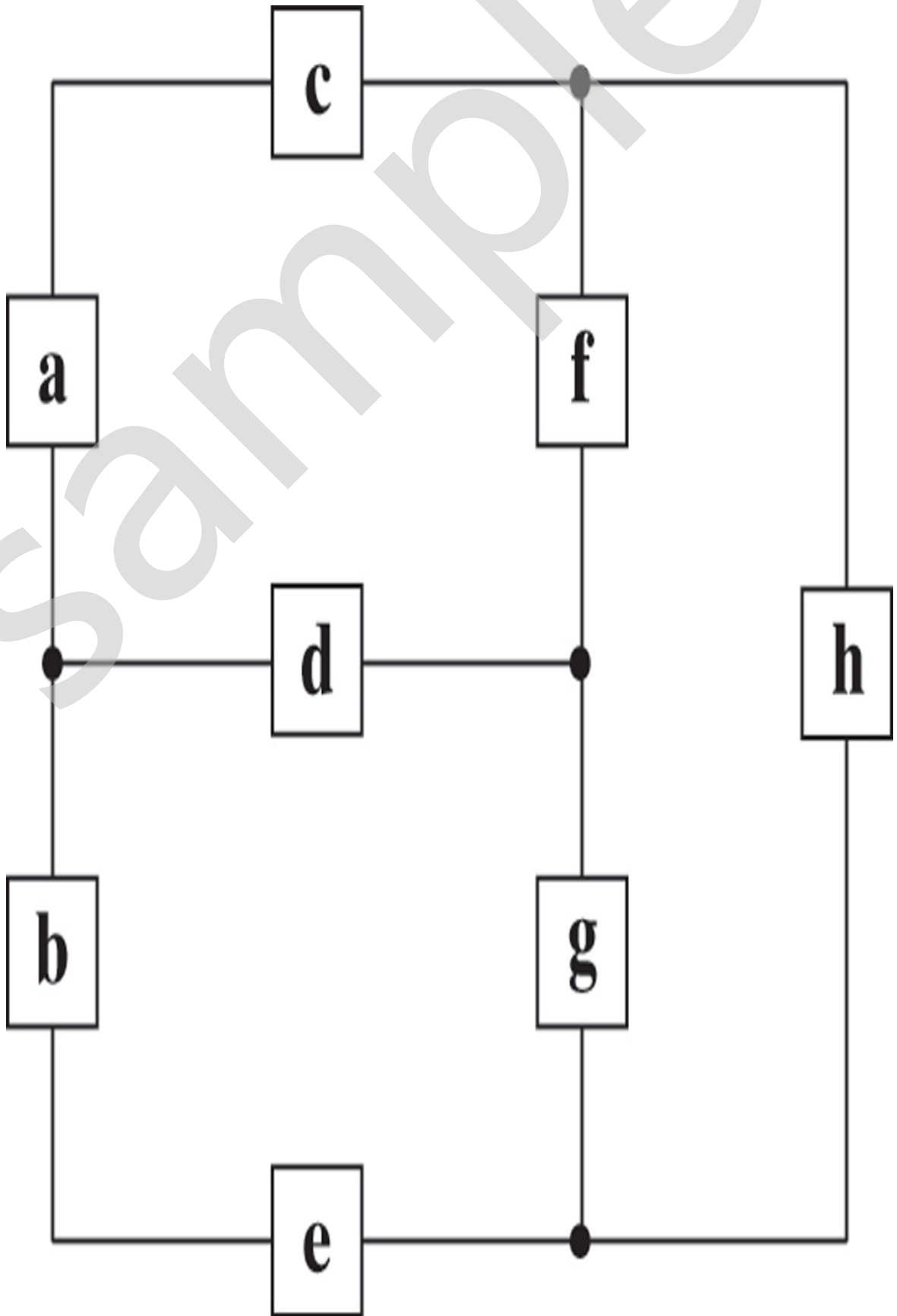


romakoma/Shutterstock



PhotoSerg/Shutterstock

Once we have introduced the concepts of voltage, current, power, and energy, we will examine this circuit model in detail, and use a power balance to determine whether the results of analyzing this circuit are correct.



[1.1-3 Full Alternative Text](#)



AfricaStudio/Shutterstock

1.1 Electrical Engineering: An Overview

The electrical engineering profession focuses on systems that produce, transmit, and measure electric signals. Electrical engineering combines the physicist's models of natural phenomena with the mathematician's tools for manipulating those models to produce systems that meet practical needs. Electrical systems pervade our lives; they are found in homes, schools, workplaces, and transportation vehicles everywhere. We begin by presenting a few examples from each of the five major classifications of electrical systems:

- communication systems
- computer systems
- control systems
- power systems
- signal-processing systems

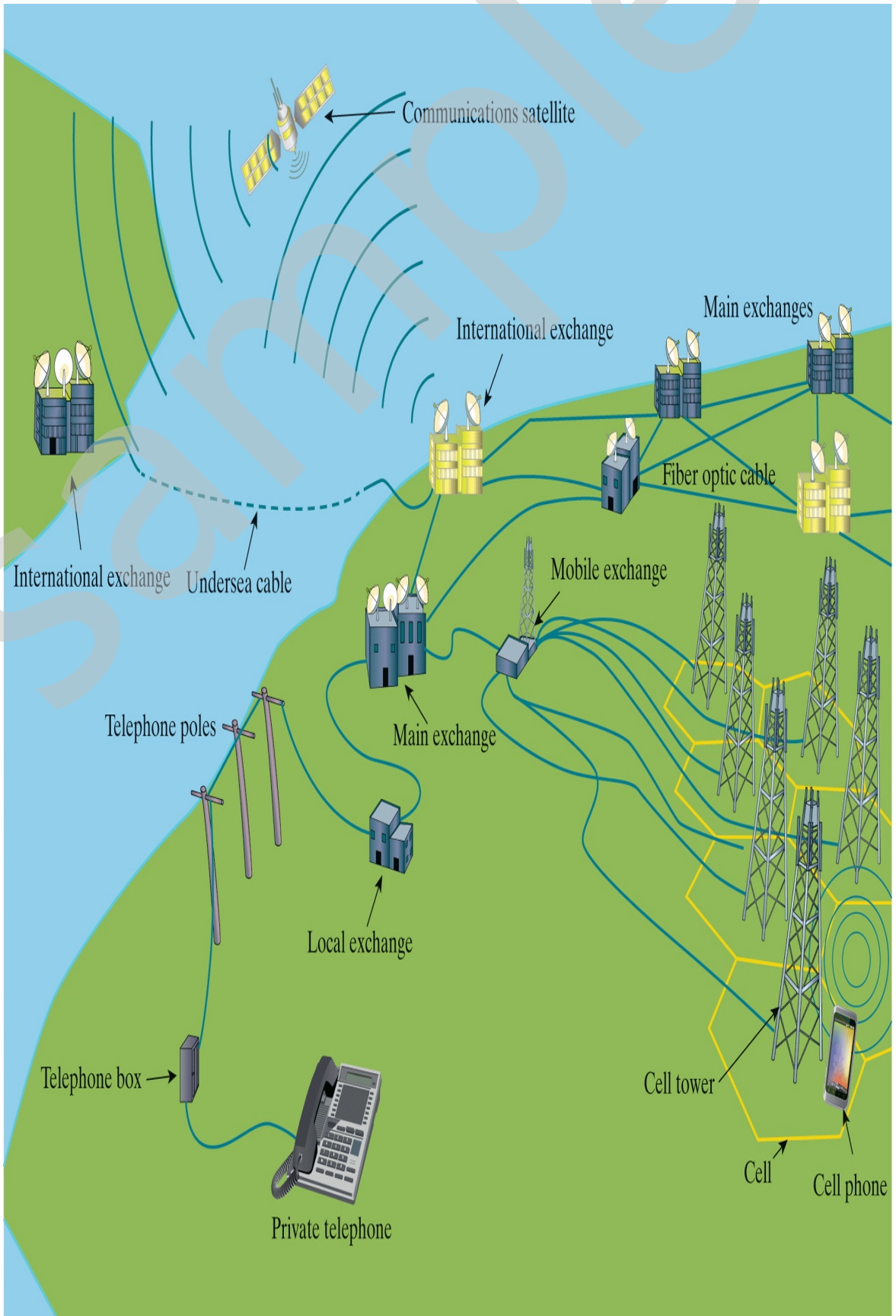
Then we describe how electrical engineers analyze and design such systems.

Communication systems are electrical systems that generate, transmit, and distribute information. Well-known examples include television equipment, such as cameras, transmitters, receivers, and monitors; radio telescopes, used to explore the universe; satellite systems, which return images of other planets and our own; radar systems, used to coordinate plane flights; and telephone systems.

[Figure 1.1](#) depicts the major components of a modern telephone system that supports mobile phones, landlines, and international calling. Inside a telephone, a microphone turns sound waves into electric signals. These signals are carried to local or mobile exchanges, where they are combined

with the signals from tens, hundreds, or thousands of other telephones. The form of the signals can be radio waves traveling through air, electrical signals traveling in underground coaxial cable, light pulses traveling in fiber-optic cable, or microwave signals that travel through space. The combined signals are broadcast from a transmission antenna to a receiving antenna. There the combined signals are separated at an exchange, and each is routed to the appropriate telephone, where an earphone acts as a speaker to convert the received electric signals back into sound waves. At each stage of the process, electric circuits operate on the signals. Imagine the challenge involved in designing, building, and operating each circuit in a way that guarantees that all of the hundreds of thousands of simultaneous calls have high-quality connections.

Figure 1.1 A telephone system.



[Figure 1.1 Full Alternative Text](#)

Computer systems use electric signals to process information ranging from word processing to mathematical computations. Systems range in size and power from simple calculators to personal computers to supercomputers that perform such complex tasks as processing weather data and modeling chemical interactions of complex organic molecules. These systems include networks of integrated circuits—miniature assemblies of hundreds, thousands, or millions of electrical components that often operate at speeds and power levels close to fundamental physical limits, including the speed of light and the thermodynamic laws.

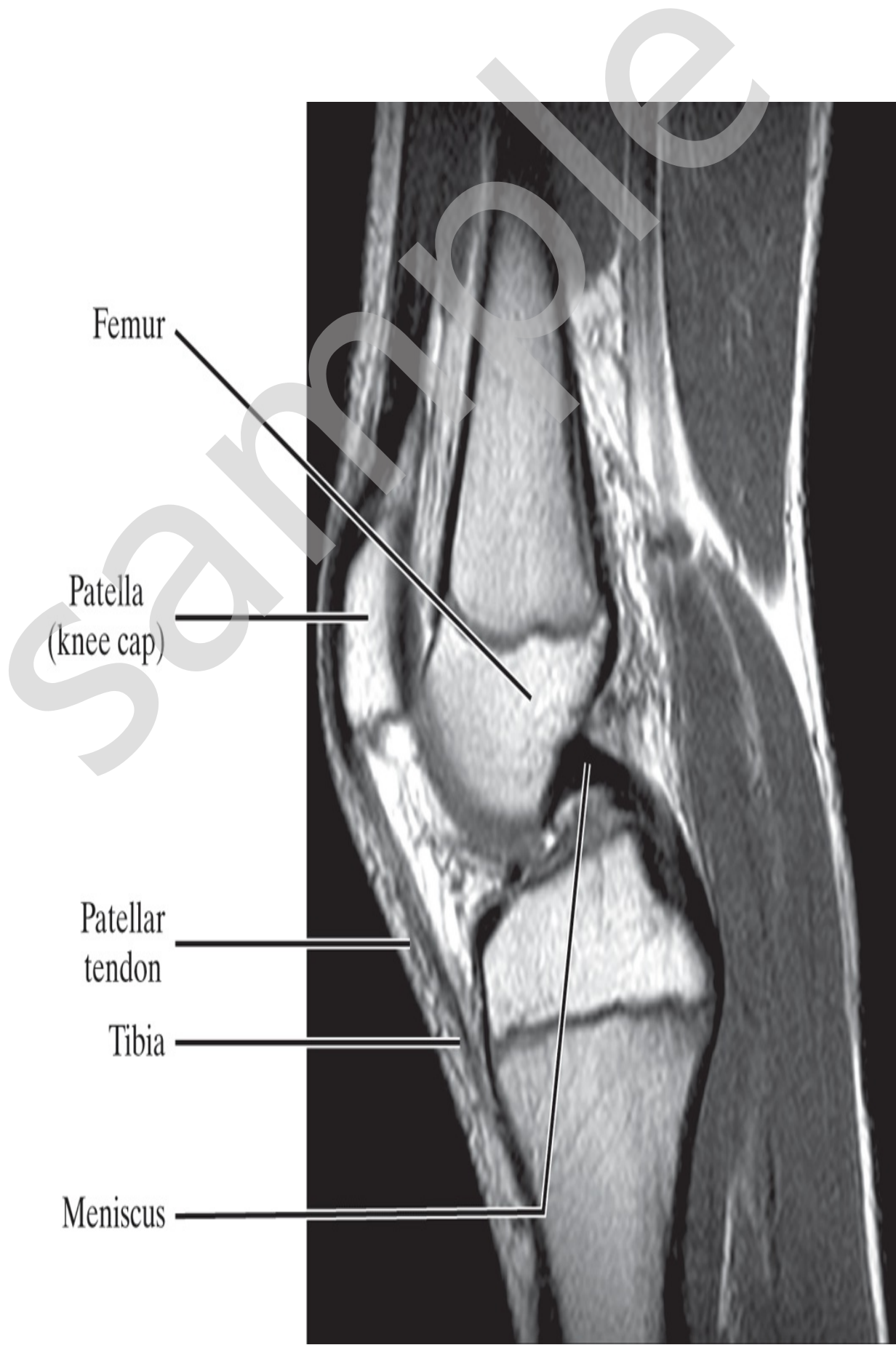
Control systems use electric signals to regulate processes. Examples include the control of temperatures, pressures, and flow rates in an oil refinery; the fuel–air mixture in a fuel-injected automobile engine; mechanisms such as the motors, doors, and lights in elevators; and the locks in the Panama Canal. The autopilot and autoland systems that help to fly and land airplanes are also familiar control systems.

Power systems generate and distribute electric power. Electric power, which is the foundation of our technology-based society, usually is generated in large quantities by nuclear, hydroelectric, solar, and thermal (coal-, oil-, or gas-fired) generators. Power is distributed by a grid of conductors that crisscross the country. A major challenge in designing and operating such a system is to provide sufficient redundancy and control so that failure of any piece of equipment does not leave a city, state, or region completely without power.

Signal-processing systems act on electric signals that represent information. They transform the signals and the information contained in them into a more suitable form. There are many different ways to process the signals and their information. For example, image-processing systems gather massive quantities of data from orbiting weather satellites, reduce the amount of data to a manageable level, and transform the remaining data into a video image for the evening news broadcast. A magnetic resonance imaging (MRI) scan is another example of an image-processing system. It takes signals generated by powerful magnetic fields and radio waves and transforms them into a

detailed, three-dimensional image such as the one shown in [Fig. 1.2](#), which can be used to diagnose disease and injury.

Figure 1.2 An MRI scan of an adult knee joint.



Femur

Patella
(knee cap)

Patellar
tendon

Tibia

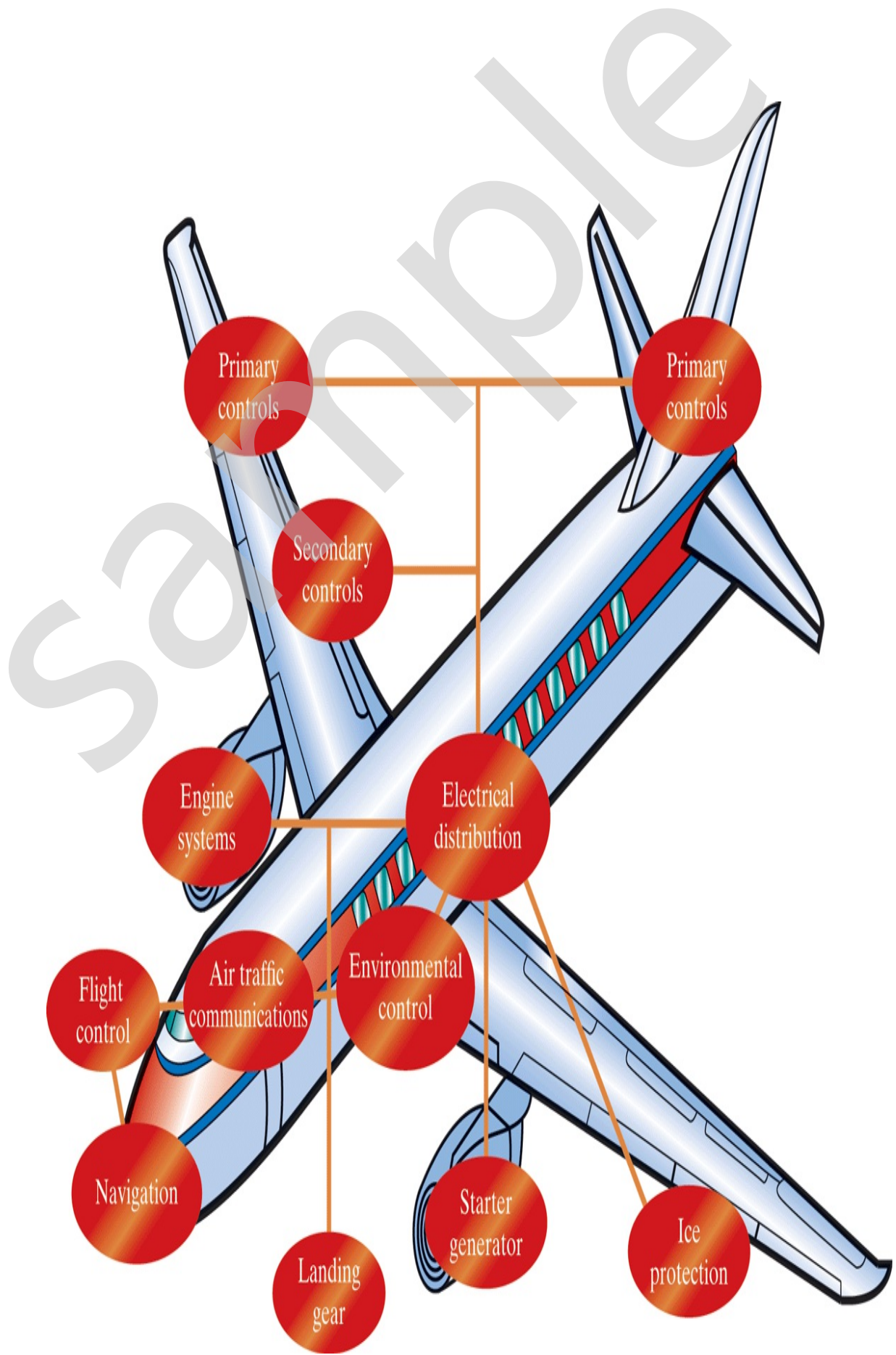
Meniscus

[Figure 1.2 Full Alternative Text](#)

Considerable interaction takes place among the engineering disciplines involved in designing and operating these five classes of systems. Thus, communications engineers use digital computers to control the flow of information. Computers contain control systems, and control systems contain computers. Power systems require extensive communications systems to coordinate safely and reliably the operation of components, which may be spread across a continent. A signal-processing system may involve a communications link, a computer, and a control system.

A good example of the interaction among systems is a commercial airplane, such as the one shown in [Fig. 1.3](#). A sophisticated communications system enables the pilot and the air traffic controller to monitor the plane's location, permitting the air traffic controller to design a safe flight path for all of the nearby aircraft and enabling the pilot to keep the plane on its designated path. An onboard computer system manages engine functions, implements the navigation and flight control systems, and generates video information screens in the cockpit. A complex control system uses cockpit commands to adjust the position and speed of the airplane, producing the appropriate signals to the engines and the control surfaces (such as the wing flaps, ailerons, and rudder) to ensure the plane remains safely airborne and on the desired flight path. The plane must have its own power system to stay aloft and to provide and distribute the electric power needed to keep the cabin lights on, make the coffee, and activate the entertainment system. Signal-processing systems reduce the noise in air traffic communications and transform information about the plane's location into the more meaningful form of a video display in the cockpit. Engineering challenges abound in the design of each of these systems and their integration into a coherent whole. For example, these systems must operate in widely varying and unpredictable environmental conditions. Perhaps the most important engineering challenge is to guarantee that sufficient redundancy is incorporated in the designs, ensuring that passengers arrive safely and on time at their desired destinations.

**Figure 1.3 Interacting systems
on a commercial aircraft.**



[Figure 1.3 Full Alternative Text](#)

Although electrical engineers may be interested primarily in one area, they must also be knowledgeable in other areas that interact with this area of interest. This interaction is part of what makes electrical engineering a challenging and exciting profession. The emphasis in engineering is on making things work, so an engineer is free to acquire and use any technique from any field that helps to get the job done.

Circuit Theory

An **electric circuit** is a mathematical model that approximates the behavior of an actual electrical system. Since electric circuits are found in every branch of electrical engineering, they provide an important foundation for learning how to design and operate systems such as those just described. The models, the mathematical techniques, and the language of circuit theory will form the intellectual framework for your future engineering endeavors.

Note that the term *electric circuit* is commonly used to refer to an actual electrical system as well as to the model that represents it. In this text, when we talk about an electric circuit, we always mean a model, unless otherwise stated. It is the modeling aspect of circuit theory that has broad applications across engineering disciplines.

Circuit theory is a special case of electromagnetic field theory: the study of static and moving electric charges. But applying generalized field theory to the study of electric signals is cumbersome and requires advanced mathematics. Consequently, a course in electromagnetic field theory is not a prerequisite to understanding the material in this book. We do, however, assume that you have had an introductory physics course in which electrical and magnetic phenomena were discussed.

Three basic assumptions permit us to use circuit theory, rather than electromagnetic field theory, to study a physical system represented by an electric circuit.

1. Electrical effects happen instantaneously throughout a system. We can make this assumption because we know that electric signals travel at or near the speed of light. Thus, if the system is physically small, electric signals move through it so quickly that we can consider them to affect every point in the system simultaneously. A system that is small enough so that we can make this assumption is called a **lumped-parameter system**.
2. The net charge on every component in the system is always zero. Thus, no component can collect a net excess of charge, although some components, as you will learn later, can hold equal but opposite separated charges.
3. There is no magnetic coupling between the components in a system. As we demonstrate later, magnetic coupling can occur *within* a component.

That's it; there are no other assumptions. Using circuit theory provides simple solutions (of sufficient accuracy) to problems that would become hopelessly complicated if we were to use electromagnetic field theory. These benefits are so great that engineers sometimes specifically design electrical systems to ensure that these assumptions are met. The importance of assumptions 2 and 3 becomes apparent after we introduce the basic circuit elements and the rules for analyzing interconnected elements.

Let's take a closer look at assumption 1. The question is, "How small does a physical system have to be to qualify as a lumped-parameter system?" To get a quantitative answer to this question, remember that electric signals propagate as waves. If the wavelength of the signal is large compared to the physical dimensions of the system, we have a lumped-parameter system. The wavelength λ is the velocity divided by the repetition rate, or **frequency**, of the signal; that is, $\lambda=c/f$. The frequency f is measured in hertz (Hz). For example, power systems in the United States operate at 60 Hz. If we use the speed of light ($c=3\times 10^8$ m/s) as the velocity of propagation, the wavelength is 5×10^6 m. If the power system of interest is physically smaller than this wavelength, we can represent it as a lumped-parameter system and use circuit theory to analyze its behavior. How do we define *smaller*? A good rule is the *rule of 1/10th*: If the dimension of the system is less than 1/10th the dimension of the wavelength, you have a lumped-parameter system. Thus, as

long as the physical dimension of the power system is less than 5×10^5 m (which is about 310 miles), we can treat it as a lumped-parameter system.

Now consider a communication system that sends and receives radio signals. The propagation frequency of radio signals is on the order of 10^9 Hz, so the wavelength is 0.3 m. Using the rule of $1/10$ th, a communication system qualifies as a lumped-parameter system if its dimension is less than 3 cm. Whenever any of the pertinent physical dimensions of a system under study approaches the wavelength of its signals, we must use electromagnetic field theory to analyze that system. Throughout this book we study circuits derived from lumped-parameter systems.

Problem Solving

As a practicing engineer, you will not be asked to solve problems that have already been solved. Whether you are improving the performance of an existing system or designing a new system, you will be working on unsolved problems. As a student, however, you will read and discuss problems with known solutions. Then, by solving related homework and exam problems on your own, you will begin to develop the skills needed to attack the unsolved problems you'll face as a practicing engineer.

Let's review several general problem-solving strategies. Many of these pertain to thinking about and organizing your solution strategy *before* proceeding with calculations.

1. Identify what's given and what's to be found. In problem solving, you need to know your destination before you can select a route for getting there. What is the problem asking you to solve or find? Sometimes the goal of the problem is obvious; other times you may need to paraphrase or make lists or tables of known and unknown information to see your objective.

On one hand, the problem statement may contain extraneous information that you need to weed out before proceeding. On the other hand, it may offer incomplete information or more complexities than can

be handled by the solution methods you know. In that case, you'll need to make assumptions to fill in the missing information or simplify the problem context. Be prepared to circle back and reconsider supposedly extraneous information and/or your assumptions if your calculations get bogged down or produce an answer that doesn't seem to make sense.

2. Sketch a circuit diagram or other visual model. Translating a verbal problem description into a visual model is often a useful step in the solution process. If a circuit diagram is already provided, you may need to add information to it, such as labels, values, or reference directions. You may also want to redraw the circuit in a simpler, but equivalent, form. Later in this text you will learn the methods for developing such simplified equivalent circuits.
3. Think of several solution methods and decide on a way of choosing among them. This course will help you build a collection of analytical tools, several of which may work on a given problem. But one method may produce fewer equations to be solved than another, or it may require only algebra instead of calculus to reach a solution. Such efficiencies, if you can anticipate them, can streamline your calculations considerably. Having an alternative method in mind also gives you a path to pursue if your first solution attempt bogs down.
4. Calculate a solution. Your planning up to this point should have helped you identify a good analytical method and the correct equations for the problem. Now comes the solution of those equations. Paper-and-pencil, calculator, and computer methods are all available for performing the actual calculations of circuit analysis. Efficiency and your instructor's preferences will dictate which tools you should use.
5. Use your creativity. If you suspect that your answer is off base or if the calculations seem to go on and on without moving you toward a solution, you should pause and consider alternatives. You may need to revisit your assumptions or select a different solution method. Or you may need to take a less conventional problem-solving approach, such as working backward from a solution. This text provides answers to all of the Assessment Problems and many of the Chapter Problems so that you may work backward when you get stuck. In the real world, you won't be

given answers in advance, but you may have a desired problem outcome in mind from which you can work backward. Other creative approaches include allowing yourself to see parallels with other types of problems you've successfully solved, following your intuition or hunches about how to proceed, and simply setting the problem aside temporarily and coming back to it later.

6. Test your solution. Ask yourself whether the solution you've obtained makes sense. Does the magnitude of the answer seem reasonable? Is the solution physically realizable? Are the units correct? You may want to rework the problem using an alternative method to validate your original answer and help you develop your intuition about the most efficient solution methods for various kinds of problems. In the real world, safety-critical designs are always checked by several independent means. Getting into the habit of checking your answers will benefit you both as a student and as a practicing engineer.

These problem-solving steps cannot be used as a recipe to solve every problem in this or any other course. You may need to skip, change the order of, or elaborate on certain steps to solve a particular problem. Use these steps as a guideline to develop a problem-solving style that works for you.

1.2 The International System of Units

Engineers use quantitative measures to compare theoretical results to experimental results and compare competing engineering designs. Modern engineering is a multidisciplinary profession in which teams of engineers work together on projects, and they can communicate their results in a meaningful way only if they all use the same units of measure. The International System of Units (abbreviated SI) is used by all the major engineering societies and most engineers throughout the world; hence we use it in this book.

The SI units are based on seven *defined* quantities:

- length
- mass
- time
- electric current
- thermodynamic temperature
- amount of substance
- luminous intensity

These quantities, along with the basic unit and symbol for each, are listed in [Table 1.1](#). Although not strictly SI units, the familiar time units of minute (60 s), hour (3600 s), and so on are often used in engineering calculations. In addition, defined quantities are combined to form **derived** units. Some quantities, such as force, energy, power, and electric charge, you already know through previous physics courses. [Table 1.2](#) lists the derived units used in this book.